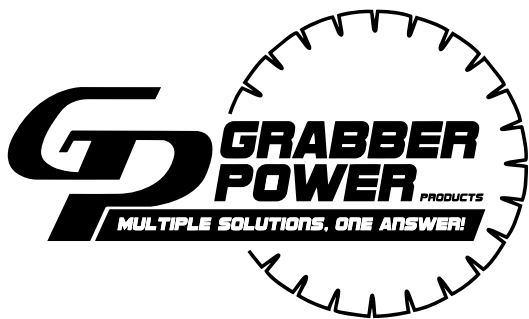
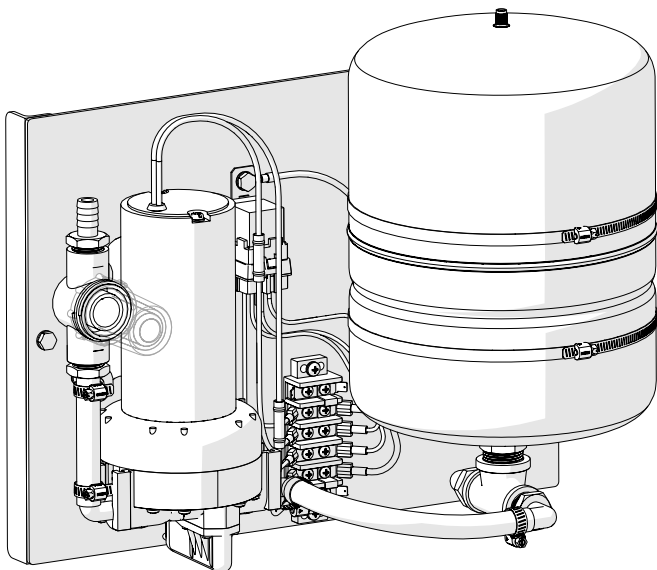


# 12 VOLT WATER PUMP

SAVE THIS MANUAL FOR FUTURE REFERENCE



TOLL FREE: 1-855-472-2237

LOCAL: 480-967-2545

FAX: 480-967-2748

**TABLE OF CONTENTS**

---

INTRODUCTION.....2

SAFETY INSTRUCTIONS..... 2-3

ASSEMBLY.....4

ASSEMBLY DRAWING..... 5

ASSEMBLY PARTS LIST..... 6

WIRING DIAGRAM..... 7

OPERATION..... 8

MAINTENANCE.....9

TROUBLE SHOOTING..... 10

**THANK YOU**

---

*From all of the Grabber Power Staff, we would like to say thank you for choosing our portable water tank. We hope we can continue serving you and your business needs and we look forward to working with you for years to come!*

## INTRODUCTION

---

Congratulations on your purchase on your new Grabber Power Products 12 volt water pump assembly. With proper care it will give you many years of service. Always follow instructions and warnings. Keep this manual for reference.

## SAFETY INSTRUCTION

---



Be sure this unit is electrically grounded.

**IMPROPER GROUNDING CAN LEAD TO ELECTRIC SHOCK HAZARD!**

- Only use proper gauge wire and follow wiring diagram (pg 8) when installing. (**14 GA, 150 C INSULATED WIRE**)
- Never cut off grounding wire.
- If any electrical components are damaged, do not use the water pump assembly.

Keep pump and electrical components dry at all times. Wet wiring can cause a short circuit and electrical shock hazard. If the water pump becomes wet, **DO NOT USE!** If possible, return to Grabber Power Products for service.

- Do not immerse pump in fluid.
- Protect pump and electrical components from rain and snow.
- Never operate water pump without a shut off switch in place.
- No other liquids, other than water, should be pumped through the water pump.

## SAFETY INSTRUCTIONS

---



Do not use the 12 volt water pump assembly in the presence of explosive gases or vapors.

- The electrical components of the 12 volt water pump assembly may generate sparks, which could ignite explosive gases (such as oxygen or anesthetic gas) or explosive vapors (such as those from gasoline, paint thinner, or solvents).
- Never use where oxygen is in use. Keep at least 30 feet away from locations where flammable liquids are stored.

Make sure warning labels on product are legible.

- If warning labels become stained, abraded, or otherwise illegible, replace promptly. Contact Grabber Power Products at 480-967-2545 for replacement labels and parts.

When installing the 12 volt water pump assembly, make sure that it is installed in a secure location. Failure to do may result in damage and possible injury to those around the unit.

- Always install the 12 volt water pump assembly in a location the is accessible to maintenance.
- Install the unite in a location where it will not vibrate and can fall and be damaged.
- Mounting locations may vary. For mounting, please see the assembly page (pg. 5). If you are not sure where or how to mount the unit, please contact Grabber Power Products at 480-967-2545.

The 2.1 gal. accumulator tank is designed for operation n a cold well water system limited to a working pressure of 125 PSI. A 100 PSI safety valve must be installed. Failure to follow these instructions may result in damage to the tank exploding and possible bodily damage.

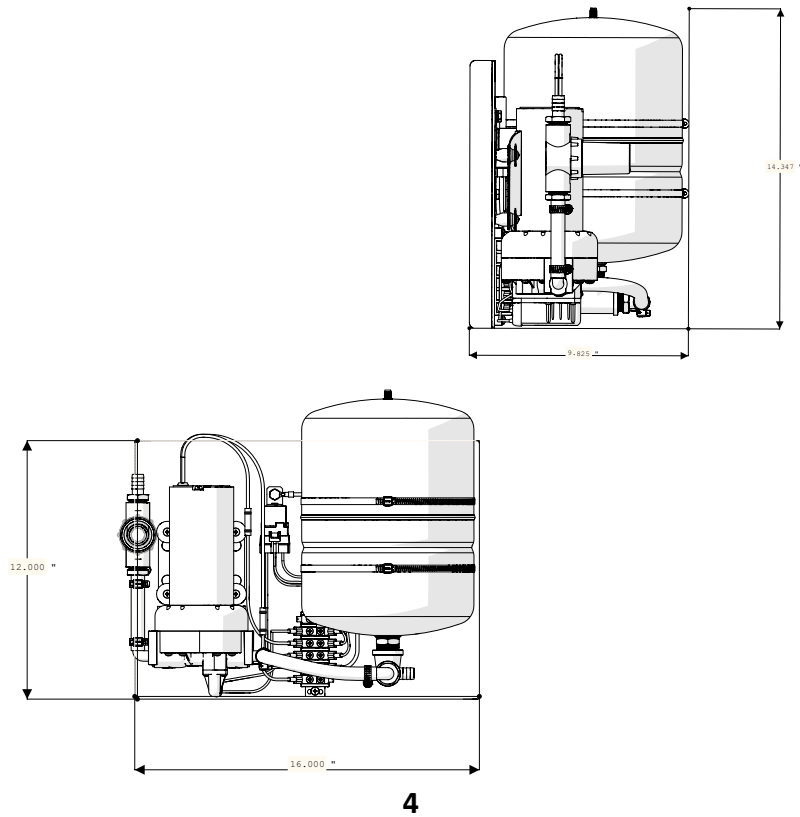
## ASSEMBLY

The 12 volt water pump assembly comes pre-assembled. See pages 5-6 for assembly diagram and parts breakdown.

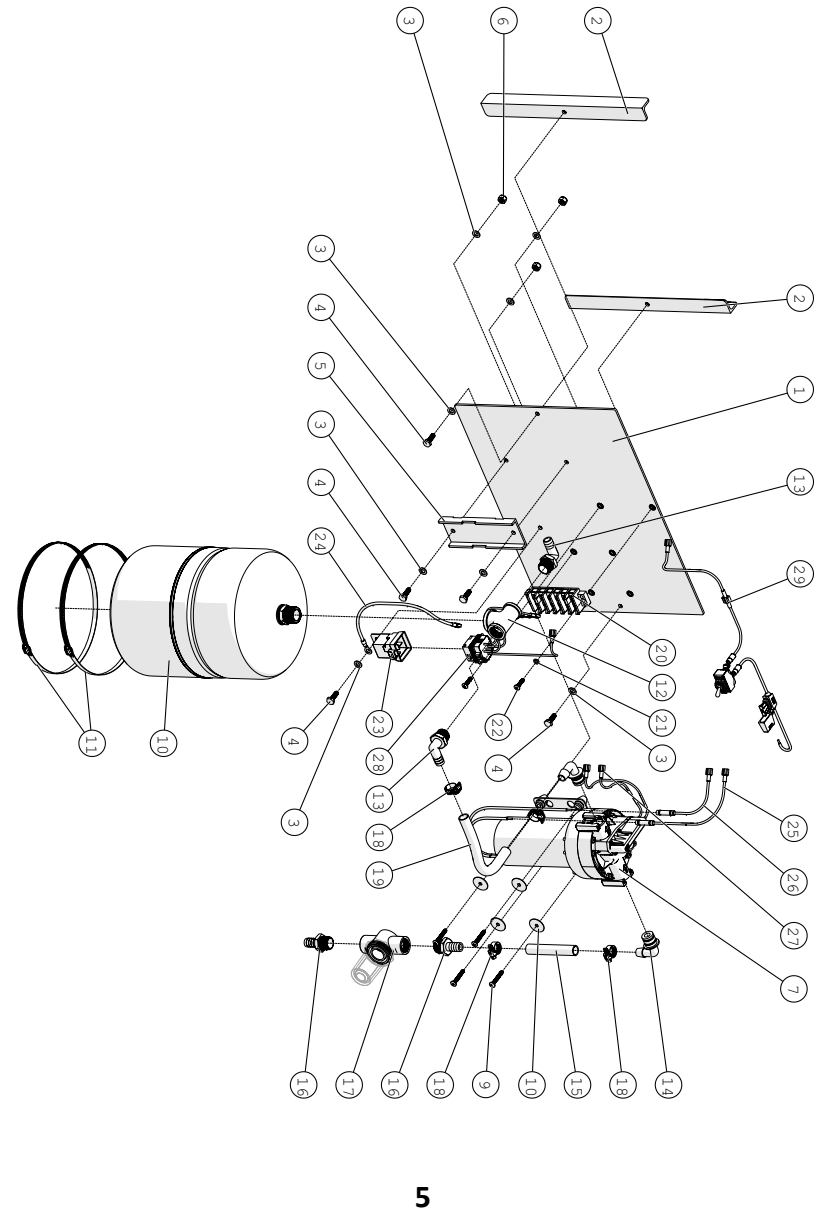


**IF ANY ITEMS ARE MISSING OR DAMAGED, DO NOT INSTALL OR OPERATE THE UNIT. CALL GRABBER POWER PRODUCTS IMMEDIATELY AT 480-967-2545.**

## DIMENSIONS



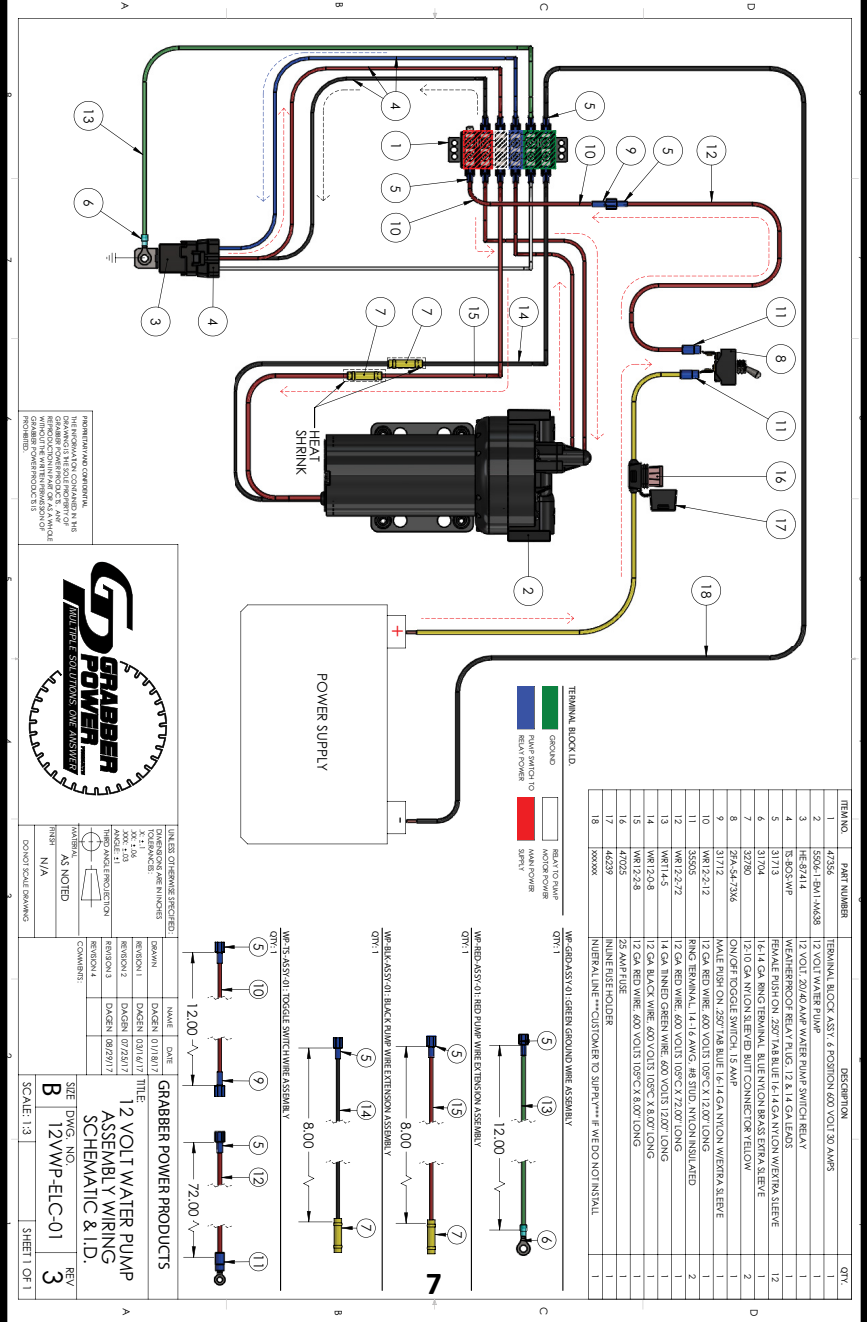
## ASSEMBLY DRAWING



# ASSEMBLY PARTS LIST

ITEM NO.	PART NUMBER	DESCRIPTION	QTY.
1	WP-PM-ASSY-01	PANEL MOUNT ASSEMBLY	1
2	WP-ANGL-ASSY-01	ANGLE MOUNT ASSEMBLY	2
3	AN960-416	.25" AN960 FLAT WASHER	8
4	1412CH50	.25"-20 X .75" GRD. 5 HEX BOLT	5
5	ATB-01	ALUMINUM TANK BRACKET	1
6	14NS	.25" -20 NYLON LOCK NUT	3
7	5506-1-EM1-M638	12 VOLT WATER PUMP	1
8	1016WF	#10 FENDER WASHER	4
9	1020MPP	#10-24 X 1.25" PAN HEAD SCREW	4
10	PLT-5	2.1 GALLON ACCUMULATOR TANK	1
11	533.128	#128 STAINLESS STEEL HOSE CLAMP	2
12	302170055	TEE, .50" NPT X .75" NPT X .50" NPT GALVANIZED	1
13	HB050-90	.50" HOSE BARB X .50" NMPT 90° POLY. ELBOW	2
14	AQUAQBES54	.50" HOSE BARB X .50" O-RING SEAL 90° ELBOW	2
15	HS-CB-50-3.50	.50" CLEAR BRAID HOSE X 3.50" LONG	1
16	HB050	.50" HOSE BARB X .50" NMPT POLY. FITTING	2
17	25-185	.50" NPT 50 MESH STAINLESS STEEL STRAINER	1
18	533.5	.50" HOSE CLAMP	4
19	HS-CB-50-8.00	.50" CLEAR BRAID HOSE X 8.00" LONG	1
20	47356	TERMINAL BLOCK ASSEMBLY. 6 POSITION 600 VOLT 30 AMPS	1
21	AN960-10	#10 AN-960 FLAT WASHER	2
22	1012MPP	#10-24 X 0.75" PAN HEAD SCREW	2
23	HE-87414	12 VOLT, 20/40 AMP WATER PUMP SWITCH RELAY	1
24	WP-GRD-ASSY-01	14 GA GREEN GROUND WIRE ASSEMBLY	1
25	WP-RED-ASSY-01	"12 GA RED WIRE ASSEMBLY EXTENSION FROM PUMP TO TERMINAL BLOCK"	1
26	WP-BLK-ASSY-01	"12 GA BLACK WIRE ASSEMBLY EXTENSION FROM PUMP TO TERMINAL BLOCK"	1
27	31713	"FEMALE PUSH ON .250"" TAB BLUE 16-14 GA NYLON W/EXTRA SLEEVE"	6
28	TS-BOS-WP	WEATHERPROOF RELAY PLUG, 12 & 14 GA LEADS	1
29	WP-TS-ASSY-01	12 VOLT WATER PUMP TOGGLE SWITCH WIRE ASSEMBLY	1

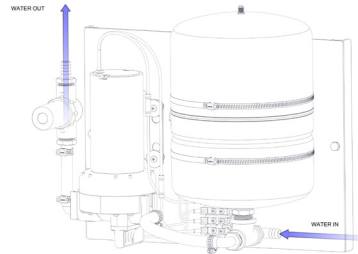
# WIRING DIAGRAM



## OPERATION

### Hooking up the water supply.

1. From your water supply, attach the 1/2" hose to the 1/2" hose barb at the base of the accumulator tank as shown in the figure.
2. Hook the second 1/2" hose from the outlet to your reel or water distributor.
3. On each hose, make sure to securely fasten each end with a hose clamp.



### Operating & powering on the unit.

1. Make sure to have no kinks or knots in your hose supply.
2. Turn the toggle switch to the "ON" position.
3. The water pump should be producing about 3.6 gallon of water per minute. If the pump does not come on double check that you have properly hooked up the unit. Use the wiring diagram on page 7 for reference.

### Shutting down the unit.

1. If in a location where freezing temperatures are present, make sure to completely drain all of the water supply before turning off.
2. If not in freezing temperatures or if completely drained, you can now simply shut off the unit by turning the toggle switch to the "OFF" position.

## MAINTENANCE

The 19 gallon portable water tank requires little maintenance. To prolong the life of the product, please follow these simple instructions.

1. If in a location where freezing temperatures are present, always completely drain the unit. Failure to do so may cause damage to the water tank and bladder.
2. When not in use, clean the unit with a soft nylon brush to remove any debris that may cause damage to the unit.
3. Be sure to check the 19 gallon portable water tank for leaks. Leaks may result in the unit not working properly.
4. Always make sure that the relief valve is clean and working properly.
5. When not in use, make sure to drain any and all water from the accumulator tank.
6. Inspect the hoses and the accumulator tank for any damage. Damage to the hoses and/or tank may result in injury and the unit not working properly.
7. Periodically check the (3) hose clamps located on the accumulator tank. Make sure these clamps are not damaged and are securing the accumulator tank.



**FAILURE TO FOLLOW THESE INSTRUCTIONS MAY RESULT IN POOR LIFE OF THE UNIT!**

## **TROUBLE SHOOTING**

---

<b>PROBLEM</b>	<b>POSSIBLE CAUSE</b>	<b>SOLUTION</b>
WATER PUMP WILL NOT RUN	WATER PUMP IS NOT ON.	TURN SWITCH ON & MAKE SURE YOU HAVE POWER GOING TO THE UNIT.
NO POWER IS GOING TO THE WATER PUMP.	INCORRECT WIRING.	CHECK WIRING CONFIGURATION AND COMPARE TO DIAGRAM ON PAGE 7
WATER PUMP IS RUNNING BUT LITTLE TO NO WATER IS COMING OUT OF THE HOSE.	HOSE IS KINKED OR DAMAGED. STRAINER IS FULL OF DEBRIS.	REMOVE KINK FROM HOSE OR REPAIR/REPLACE DAMAGED HOSE. CLEAN AND REMOVE DEBRIS FROM STRAINER.

For any other problems, or if the recommended solutions above do not solve the issue, please contact Grabber Power Products at 480-967-2545.

## **SPECIFICATIONS**

---

Accumulator tank:

- 2.1 gallon water capacity
- 125 max PSI
- 1/2" hose connections.

MOTOR:

- 12 VOLT DC
- 3.3 GPM
- 11 AMPS
- 45-65 PSI